



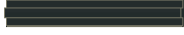



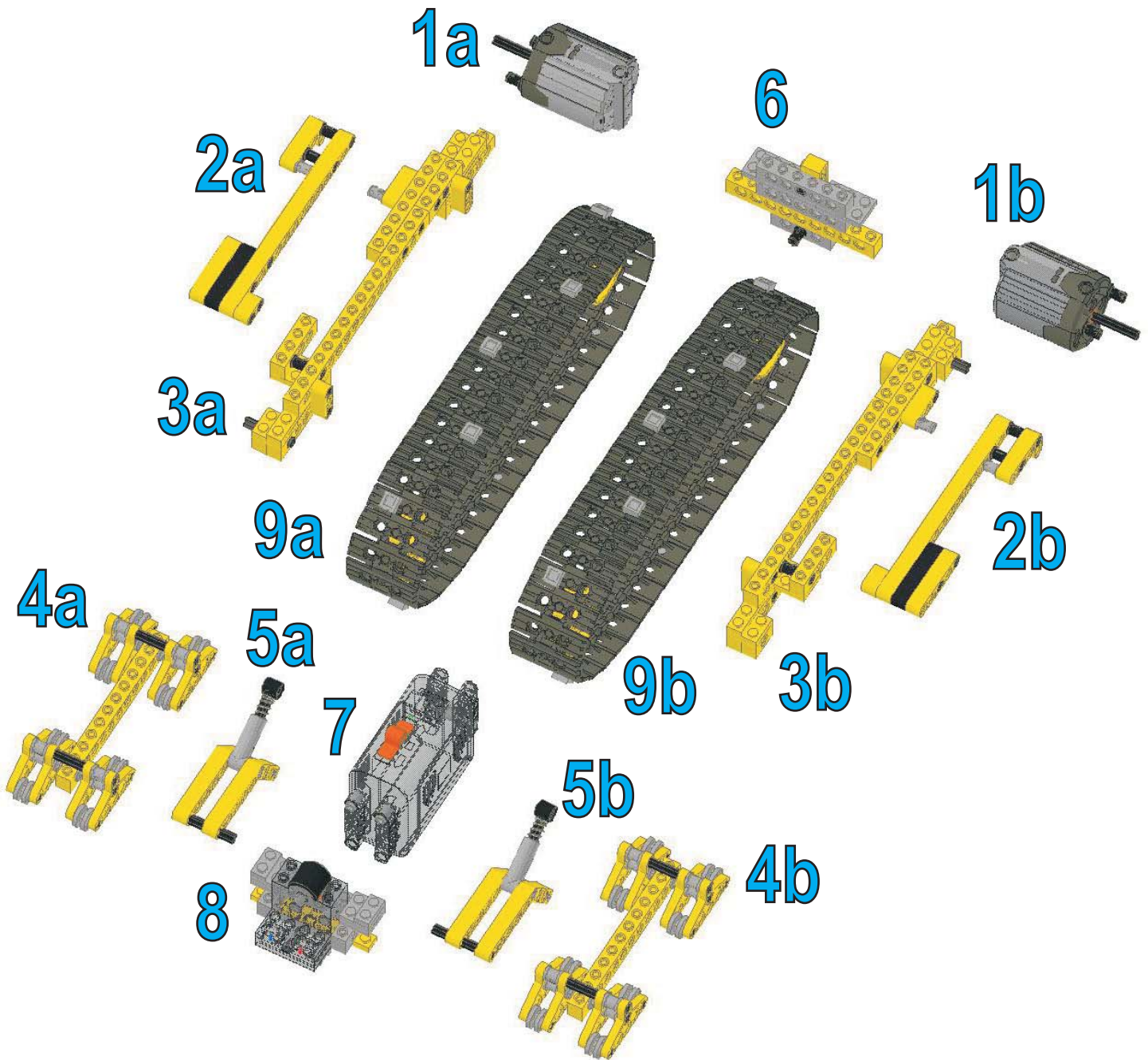


-  12
-  10
-  8
-  6
-  4
-  3
-  2
- 

Model parts



1a - Front motor

1b - Rear motor

2a - Upper left side

2b - Upper right side

3a - Lower left side

3b - Lower right side

4a - Left buggy

4b - Right buggy

5a - Left suspension

5b - Right suspension

6 - Middle front part

7 - Battery

8 - Middle receiver

9a,b - Crawlers

1a - Front motor



1



2



1b - Rear motor



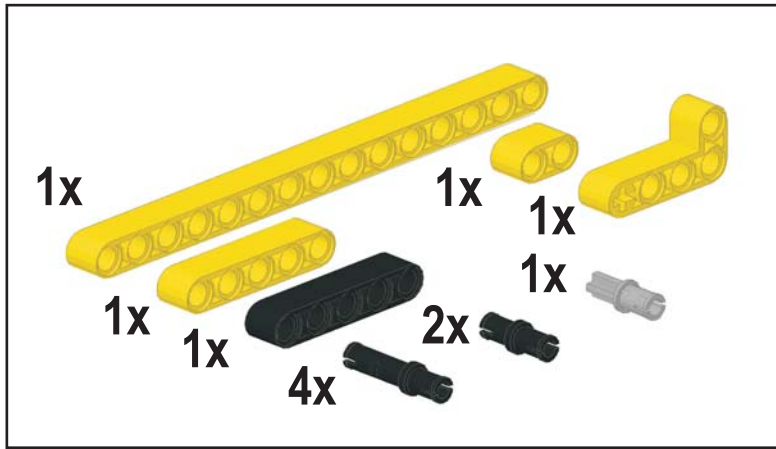
1



2



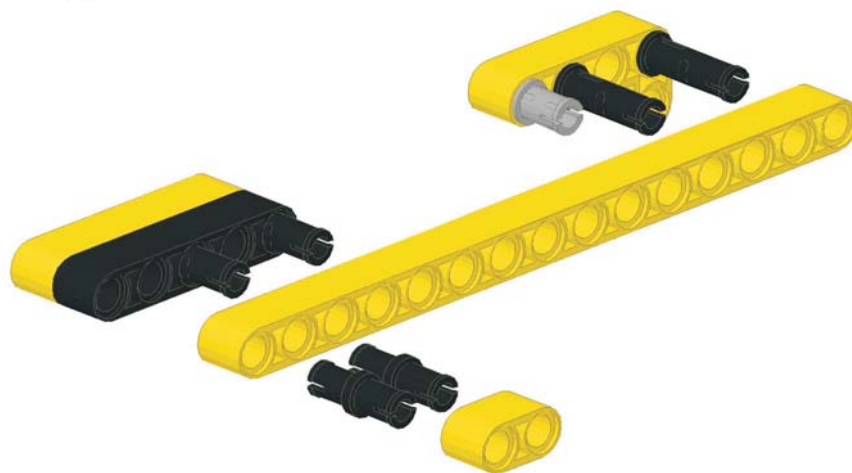
2a - Upper left side



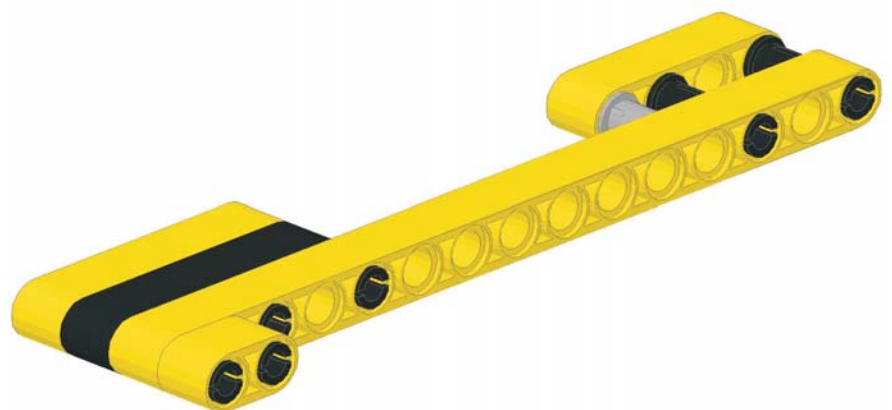
1



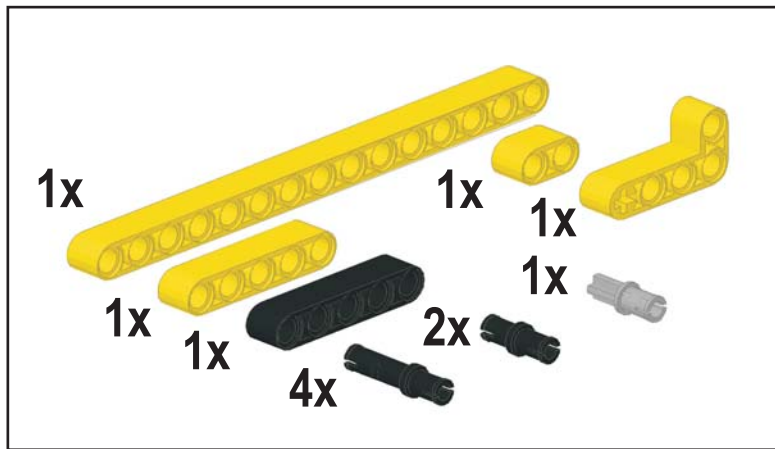
2



3



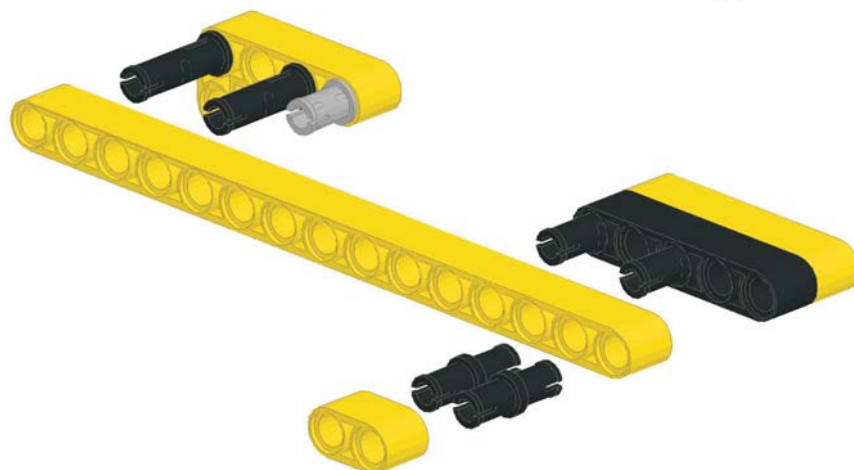
2b - Upper right side



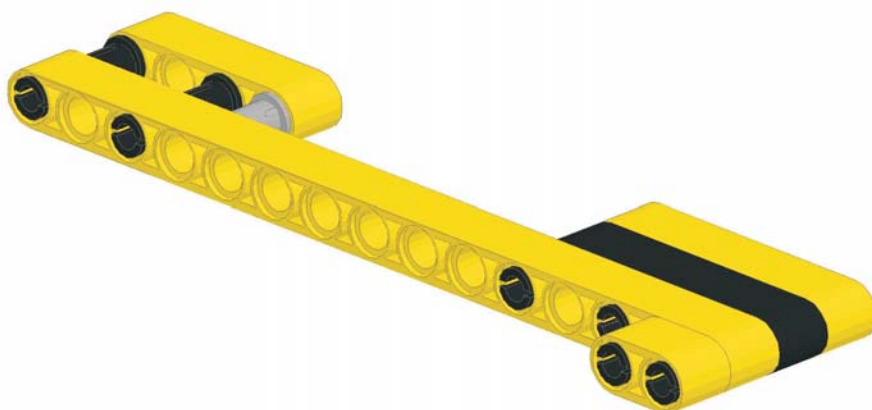
1



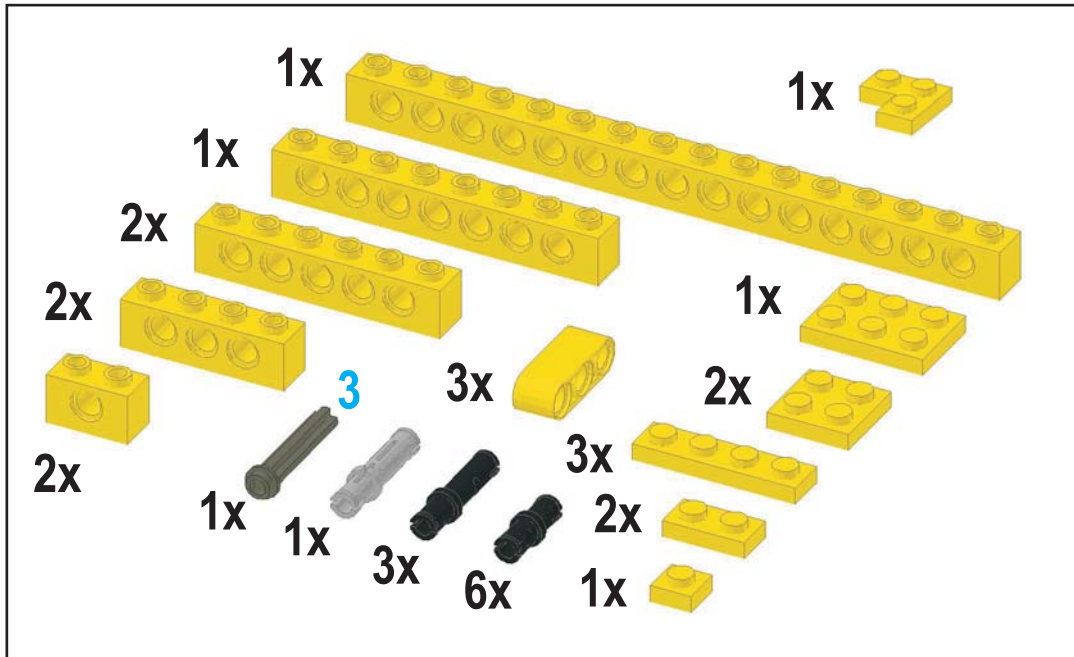
2



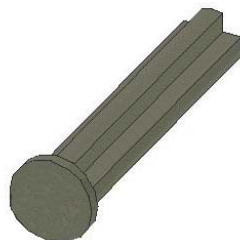
3



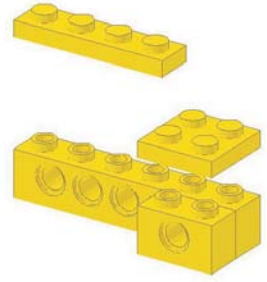
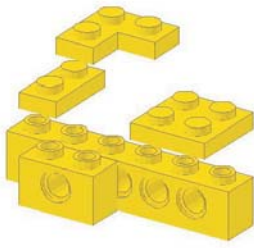
3a - Lower left side



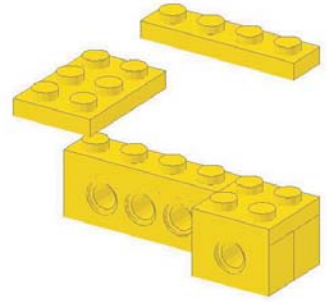
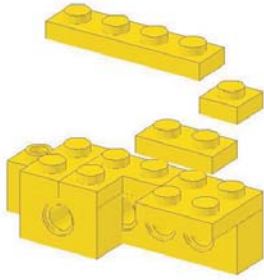
1



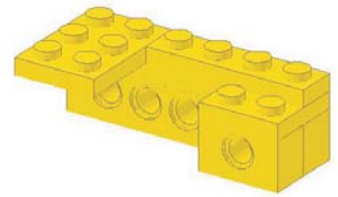
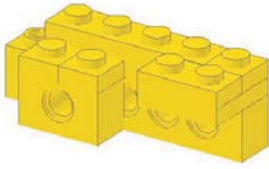
2



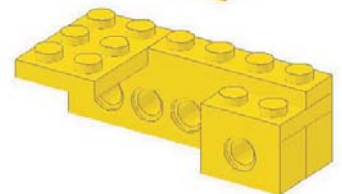
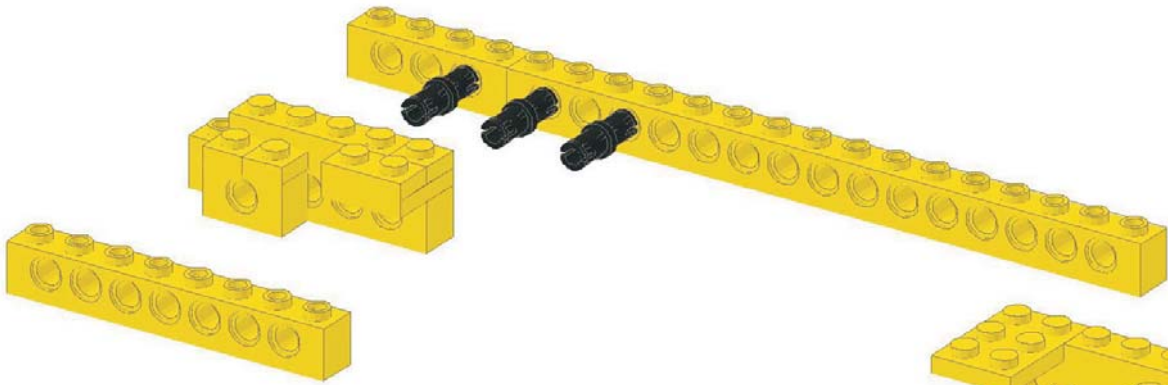
3



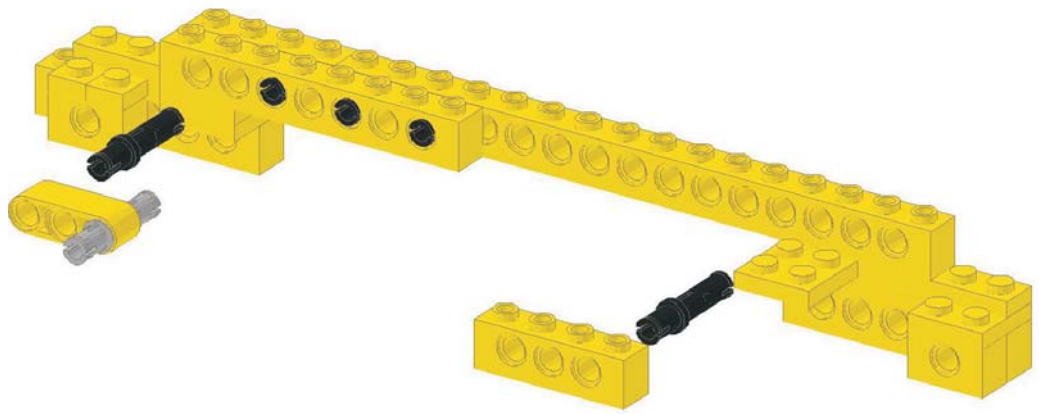
4



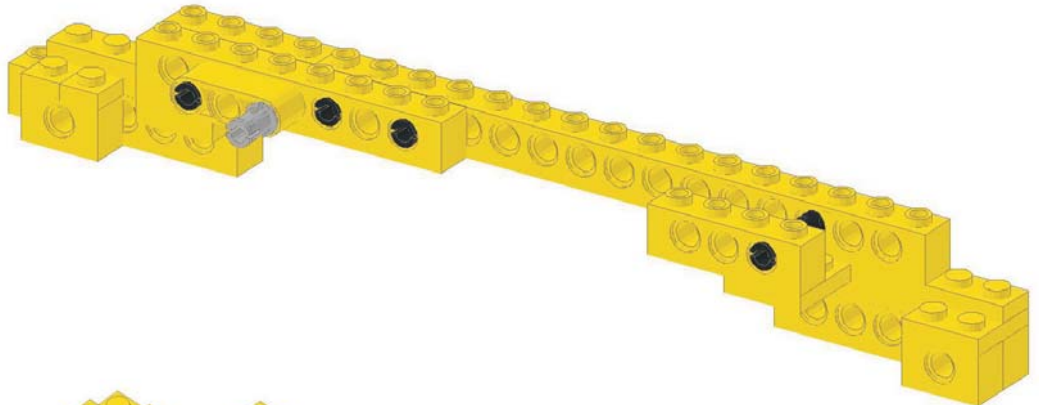
5



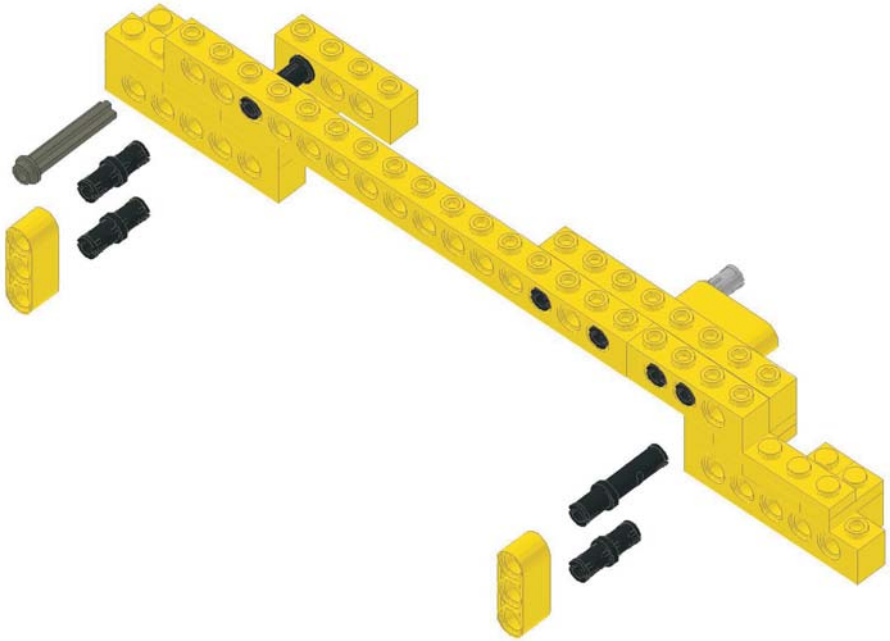
6



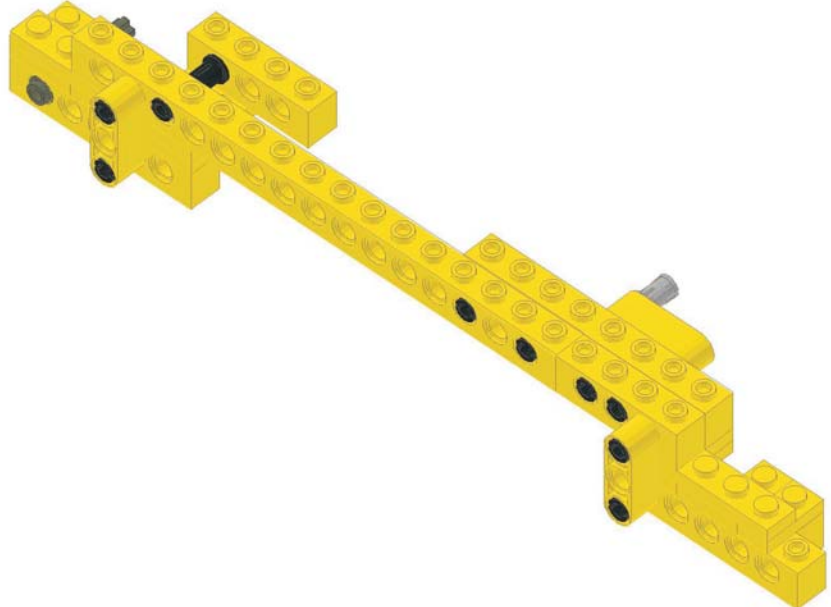
7



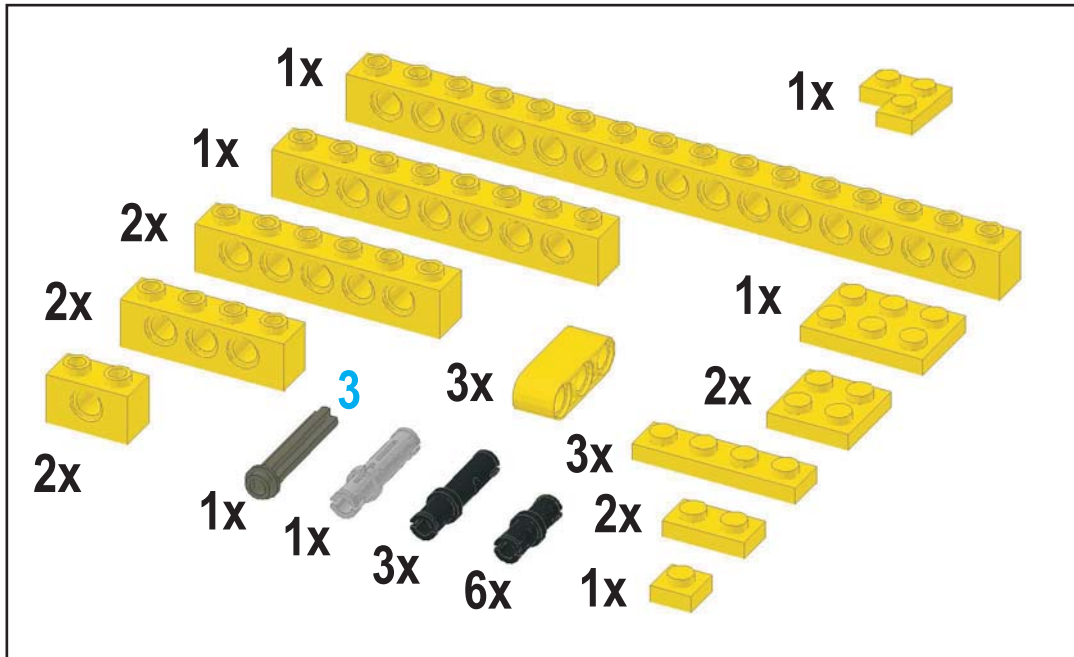
8



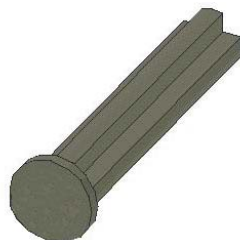
9



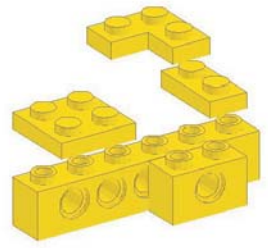
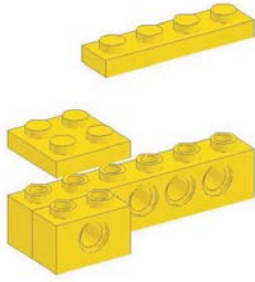
3b - Lower right side



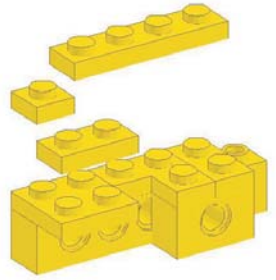
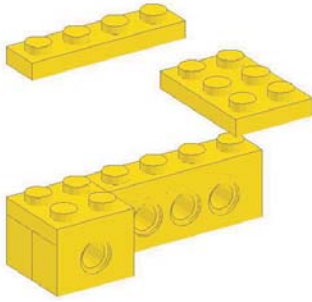
1



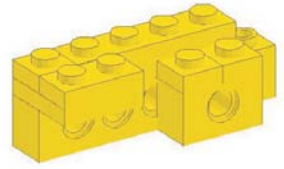
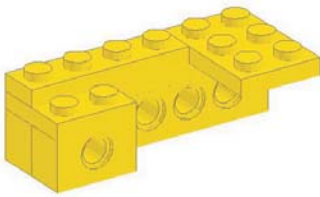
2



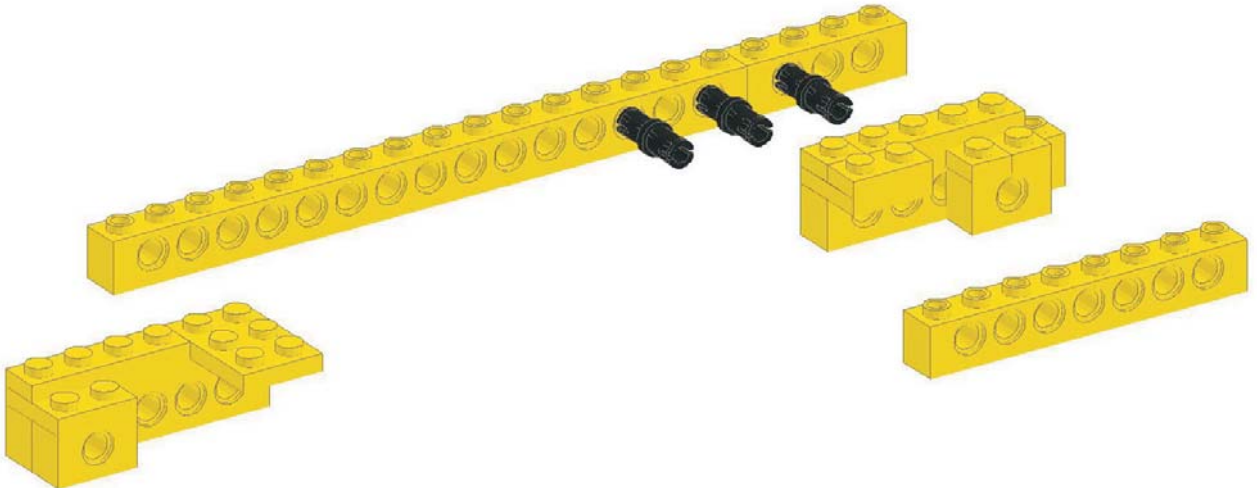
3



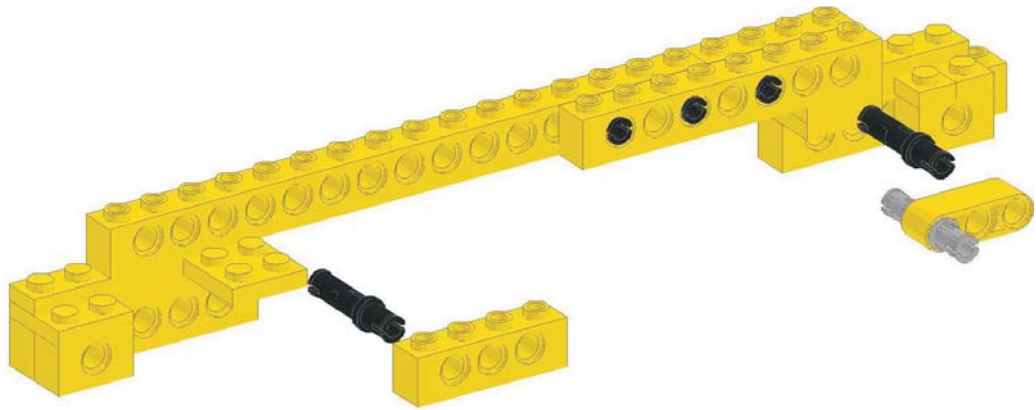
4



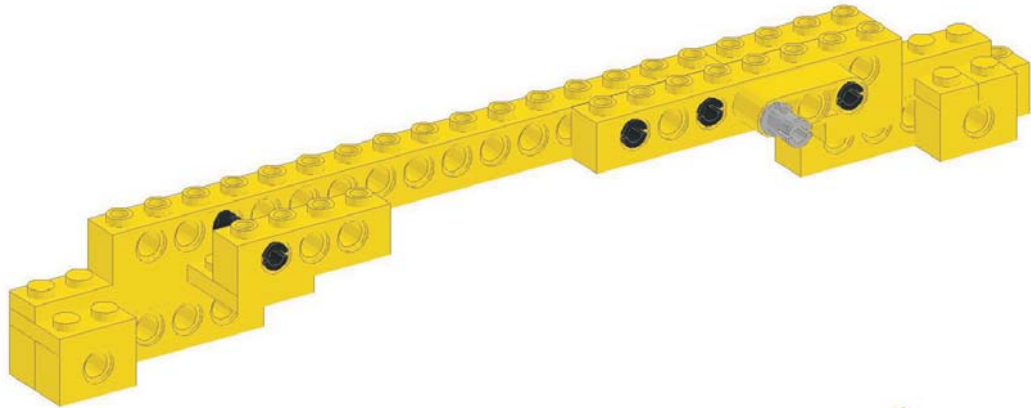
5



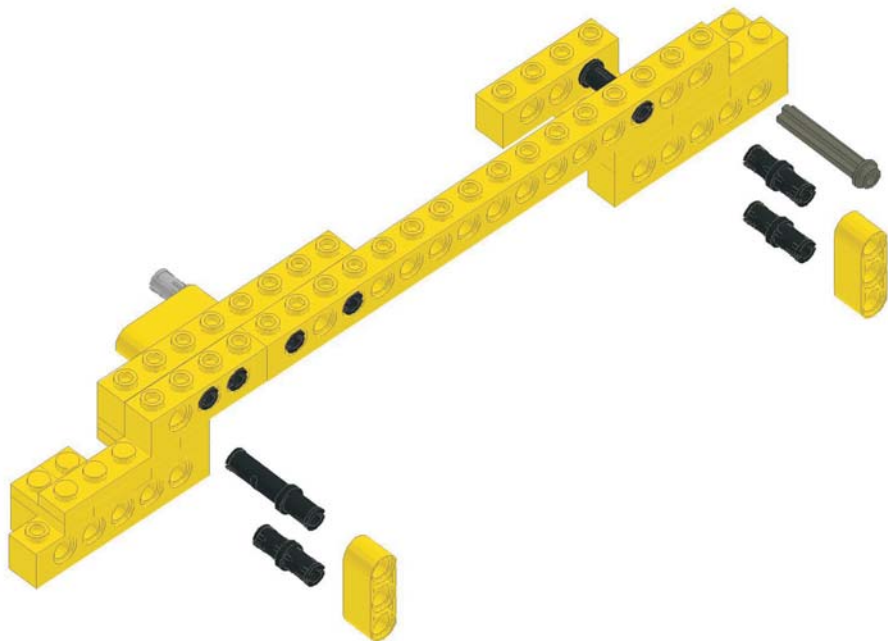
6



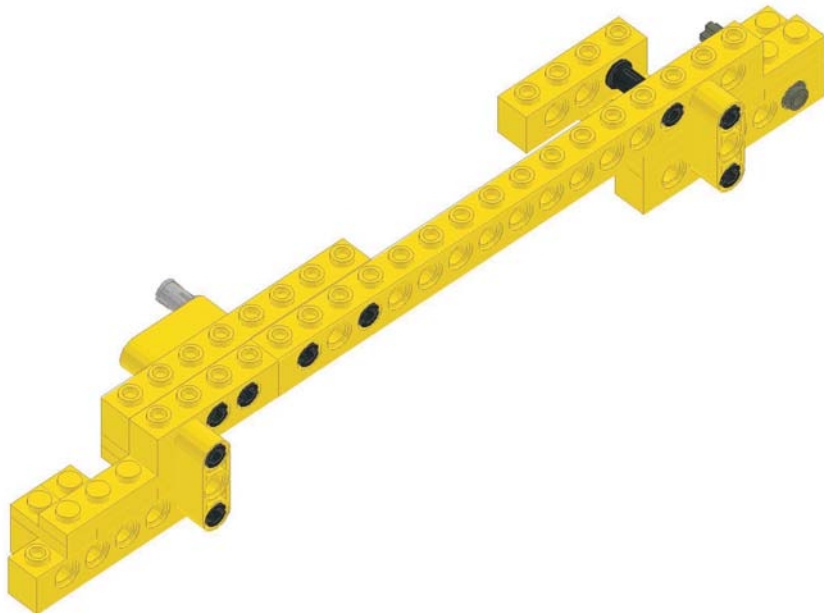
7



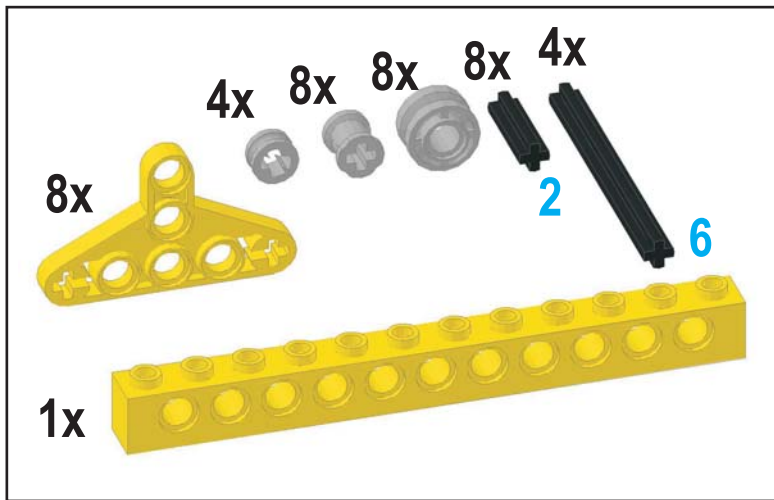
8



9



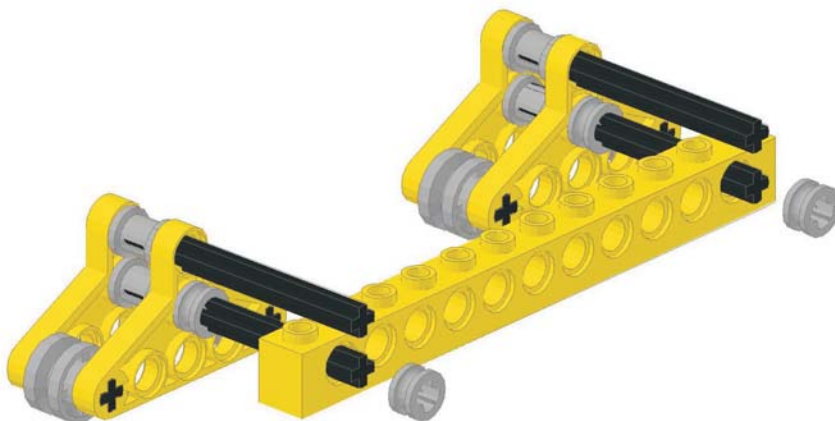
4a, 4b - Buggy (2x)



1



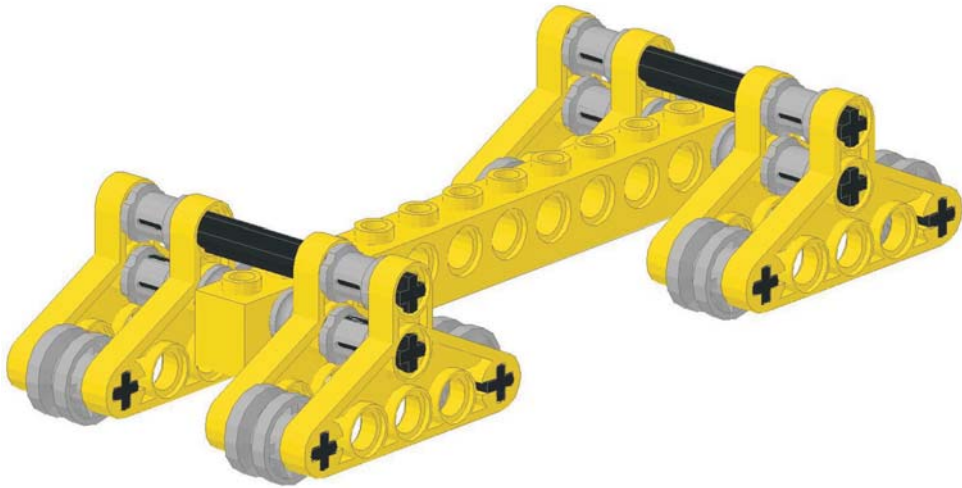
2



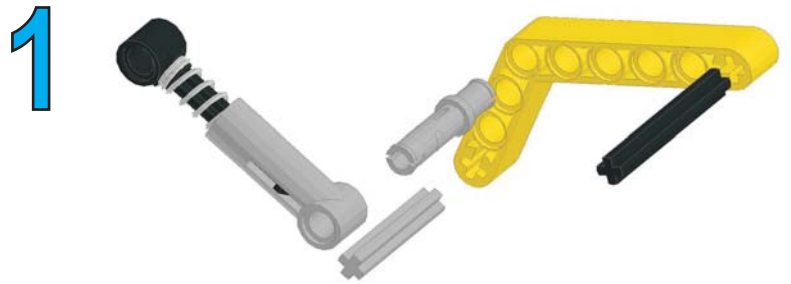
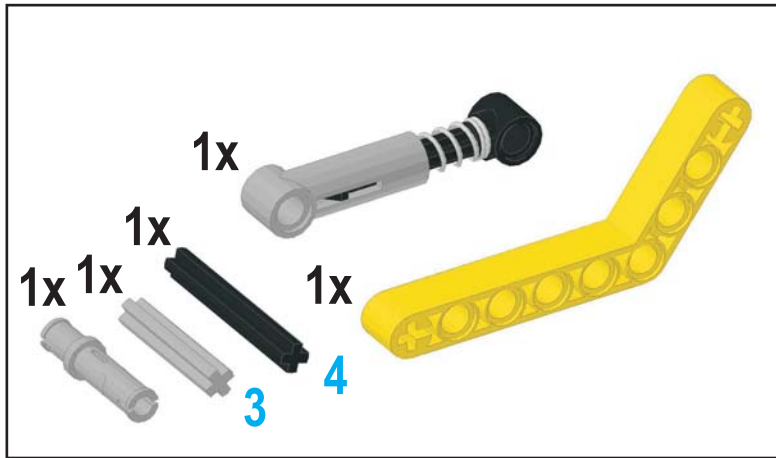
3



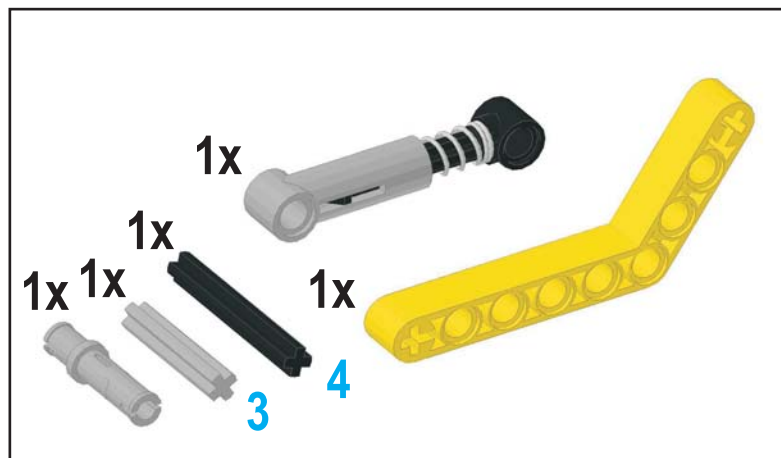
4



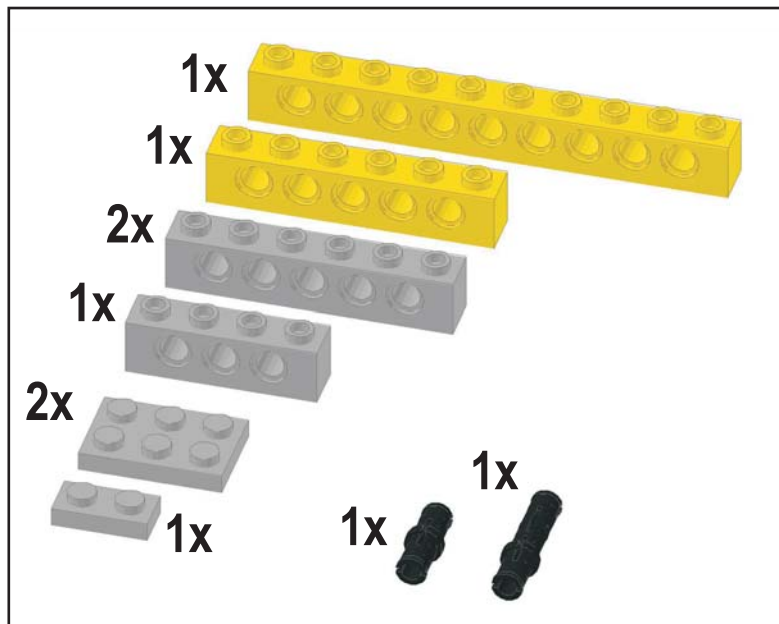
5a - Left suspension



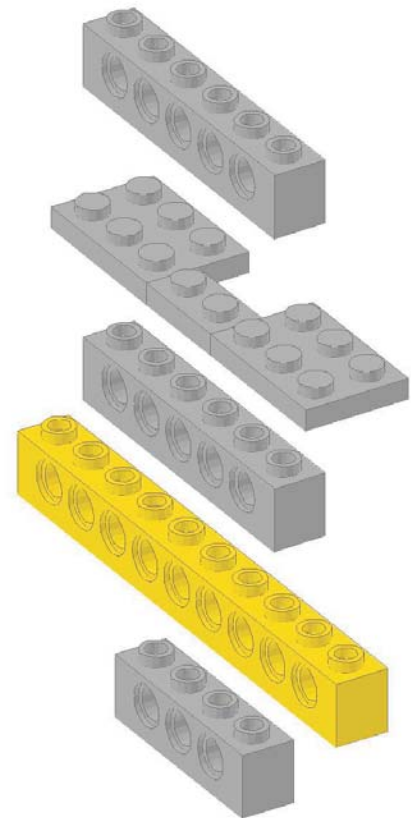
5b - Right suspension



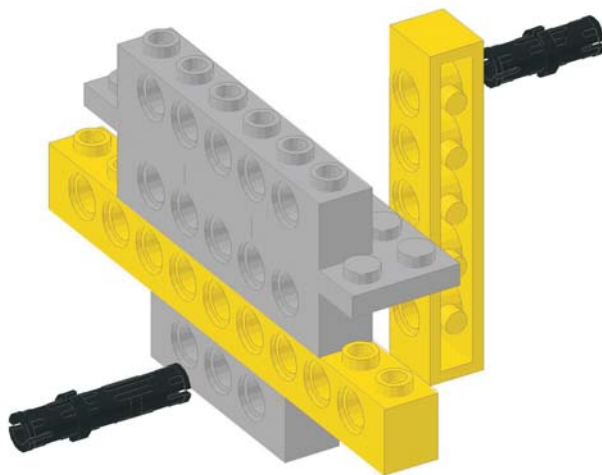
6 - Middle front part



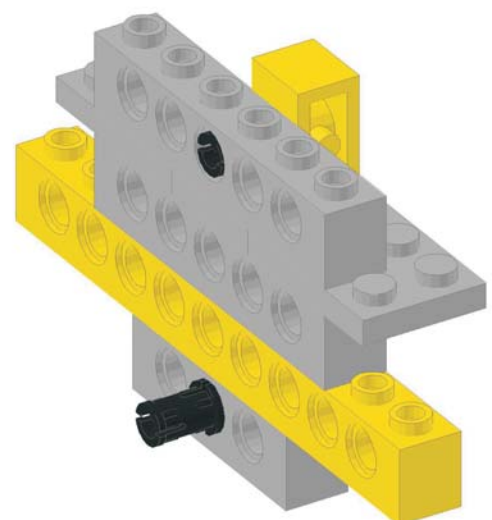
1



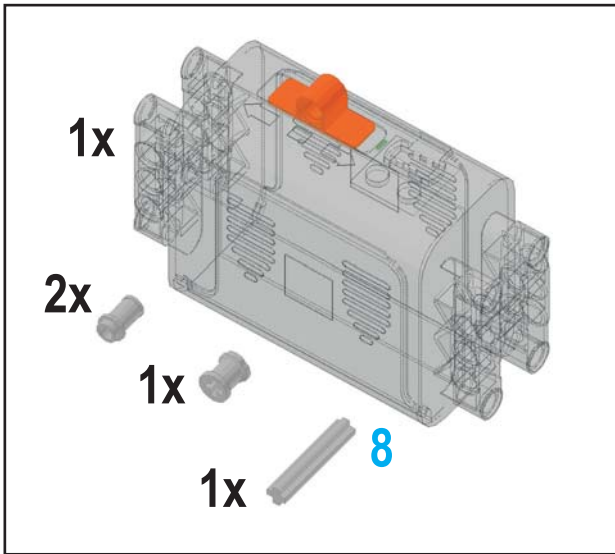
2



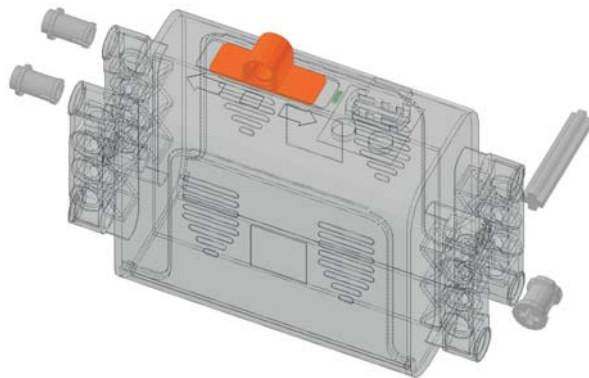
3



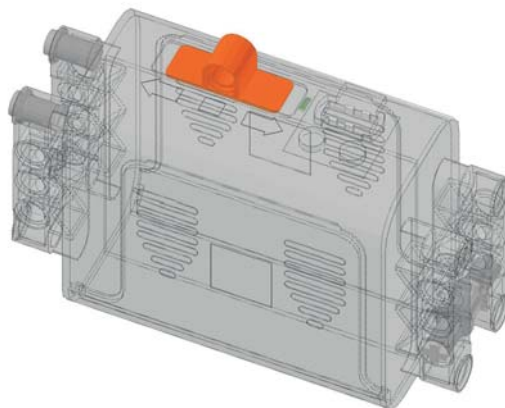
7 - Battery



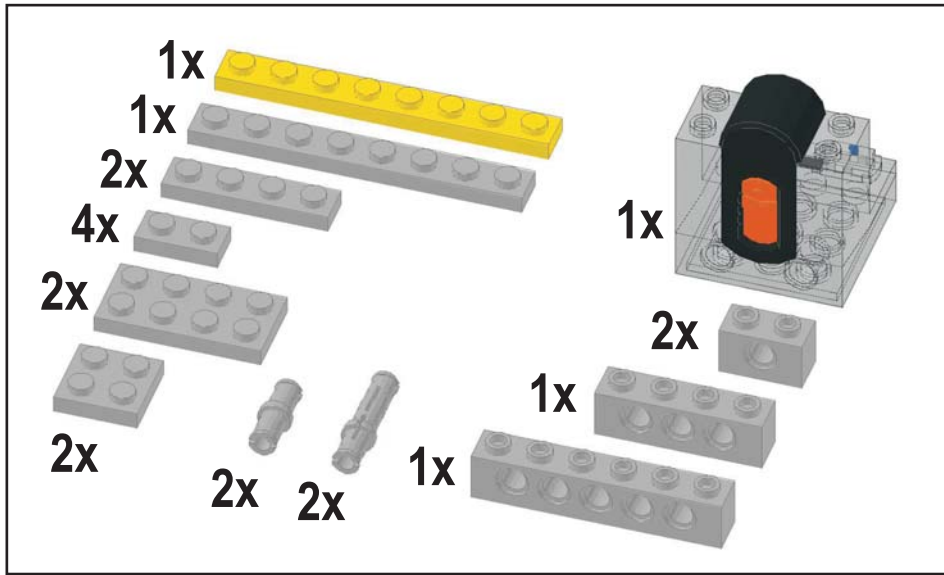
1



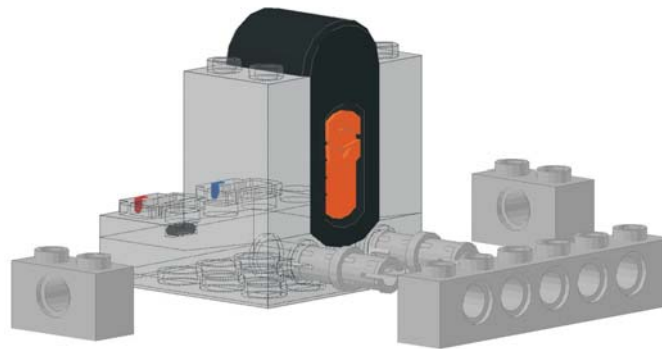
2



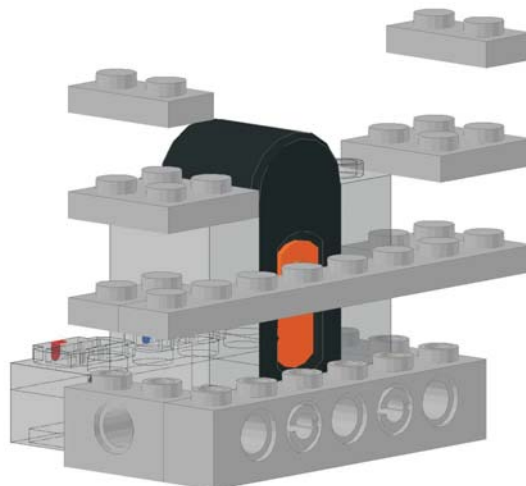
8 - Middle Receiver



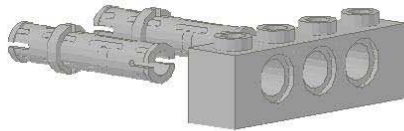
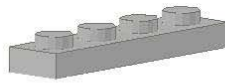
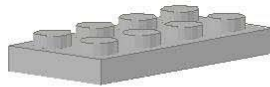
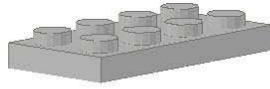
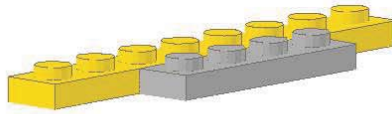
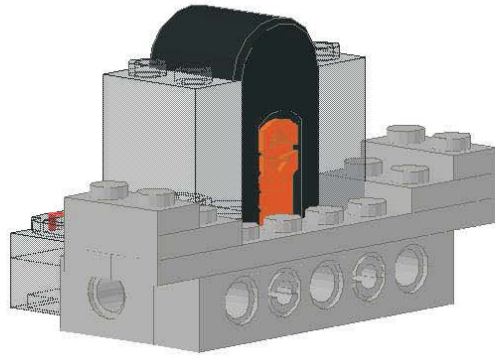
1



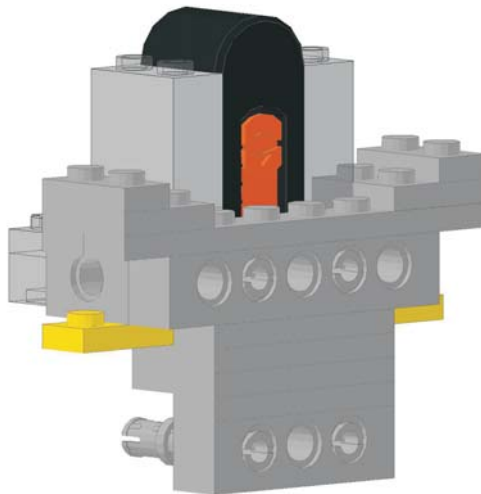
2



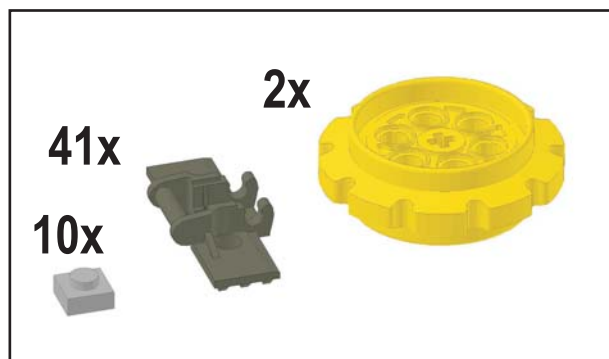
3



4



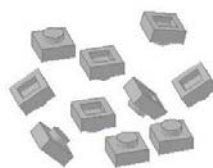
9a, 9b - Crawlers (2x)



1



2



3



Combine left side

$$A = 4a + 5a$$



$$B = A + 3a$$



$$C = B + 2a$$



$$D = C + 1a$$

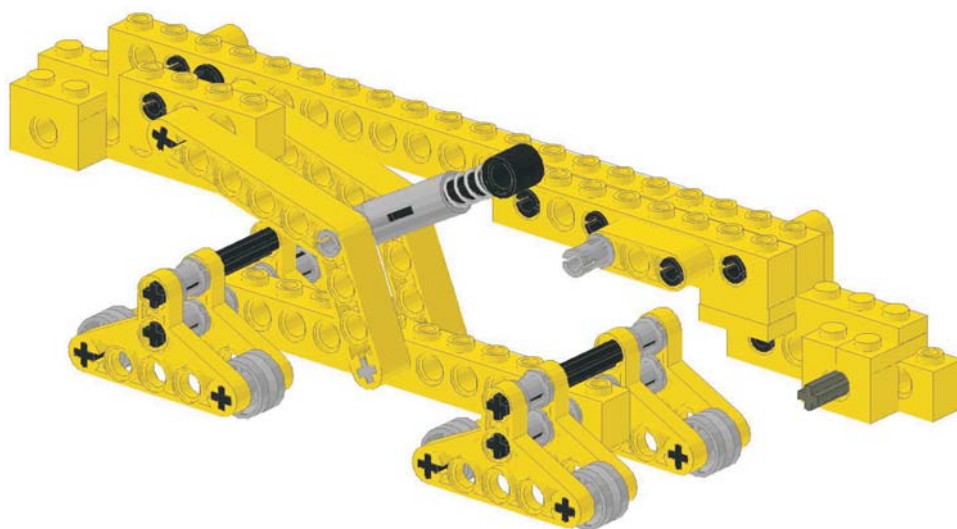


Combine right side

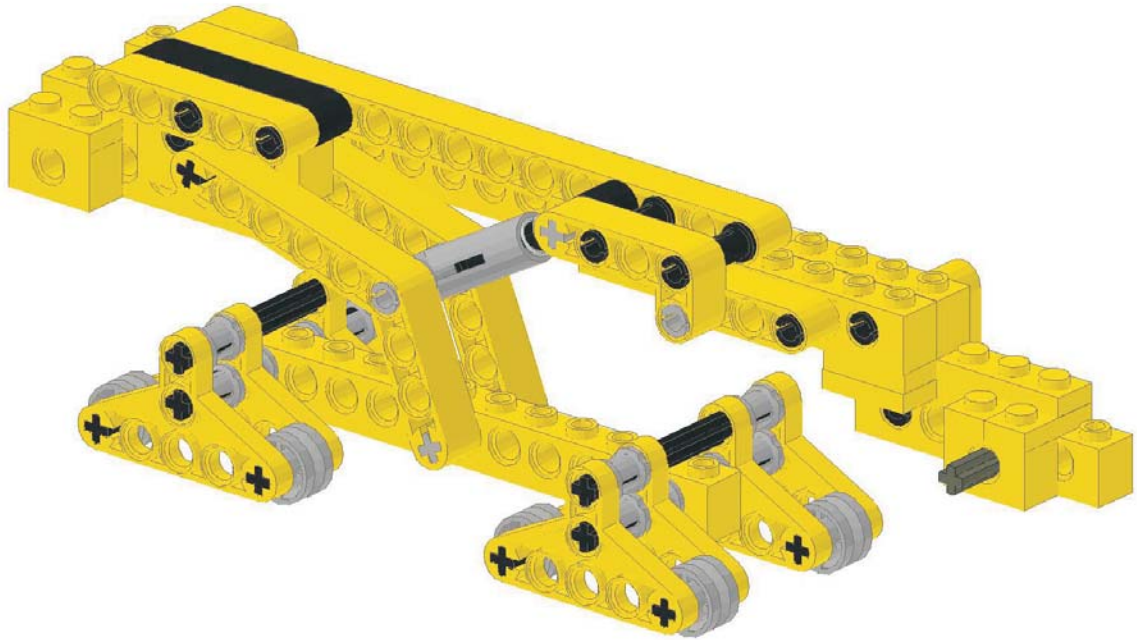
$$E = 4b + 5b$$



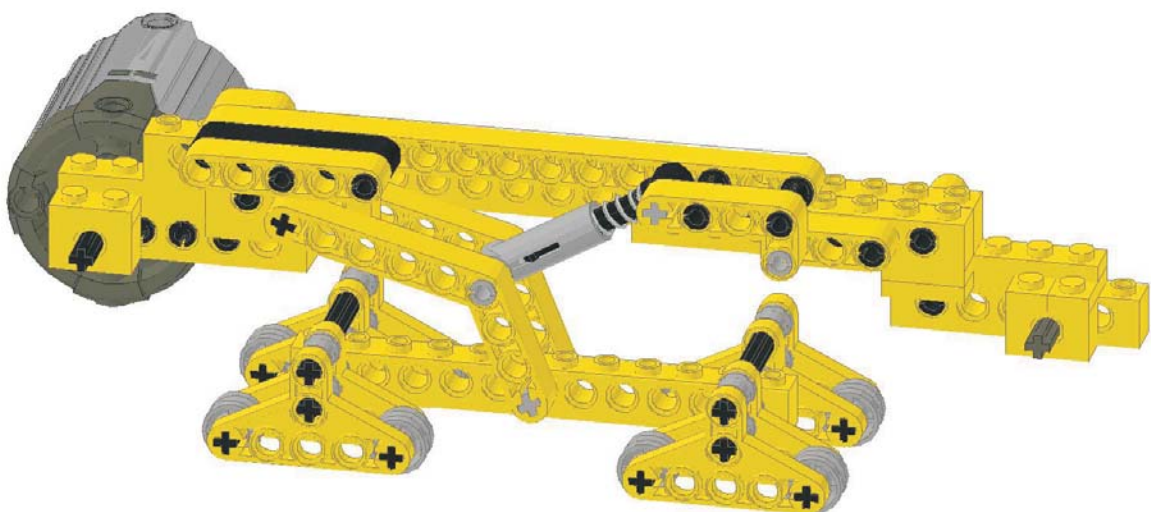
$$F = E + 3b$$



$$G = F + 2b$$

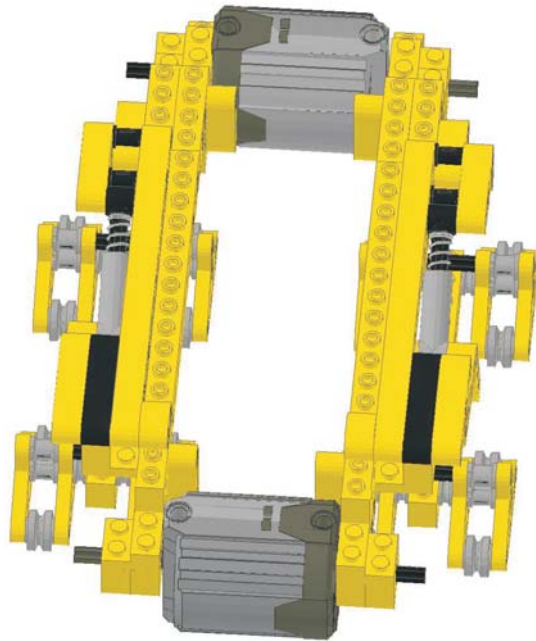


$$H = G + 1b$$

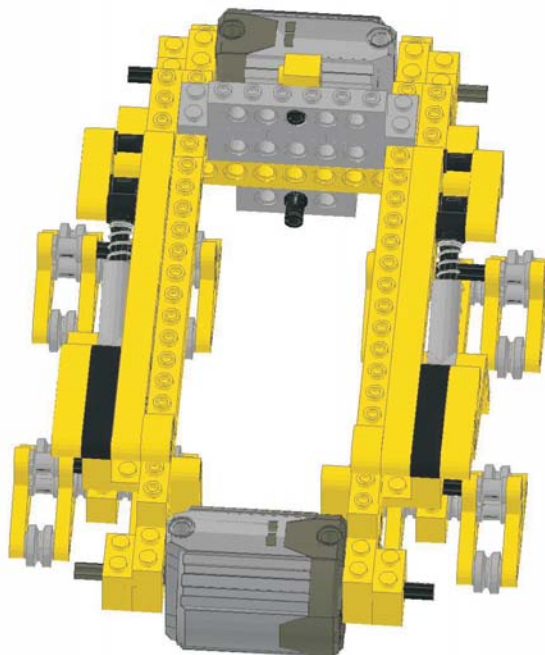


Join sides

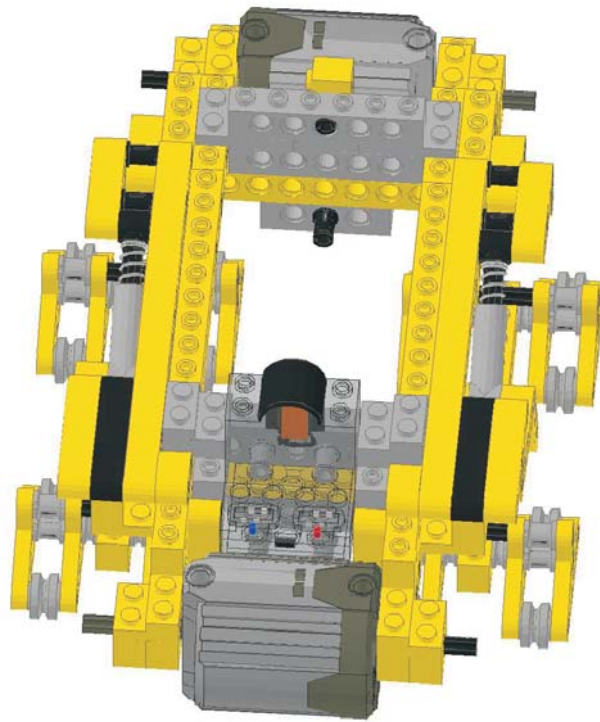
$D + H$



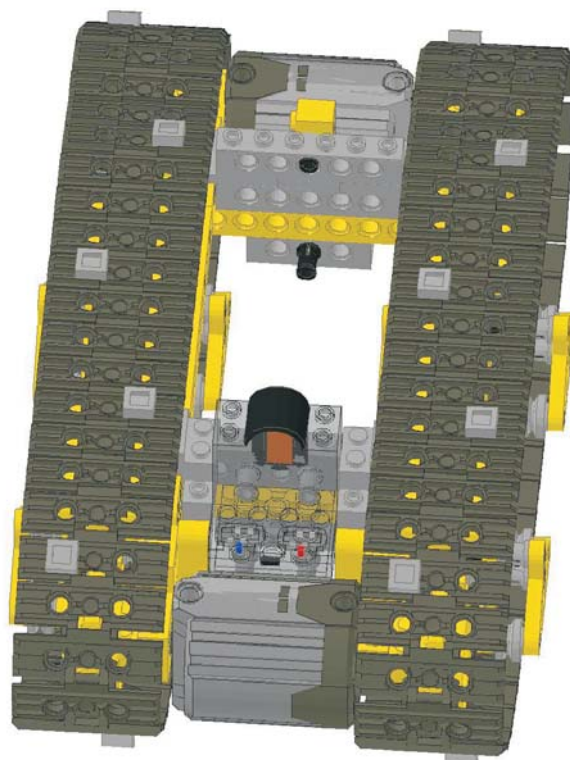
$I = D + H + 6$



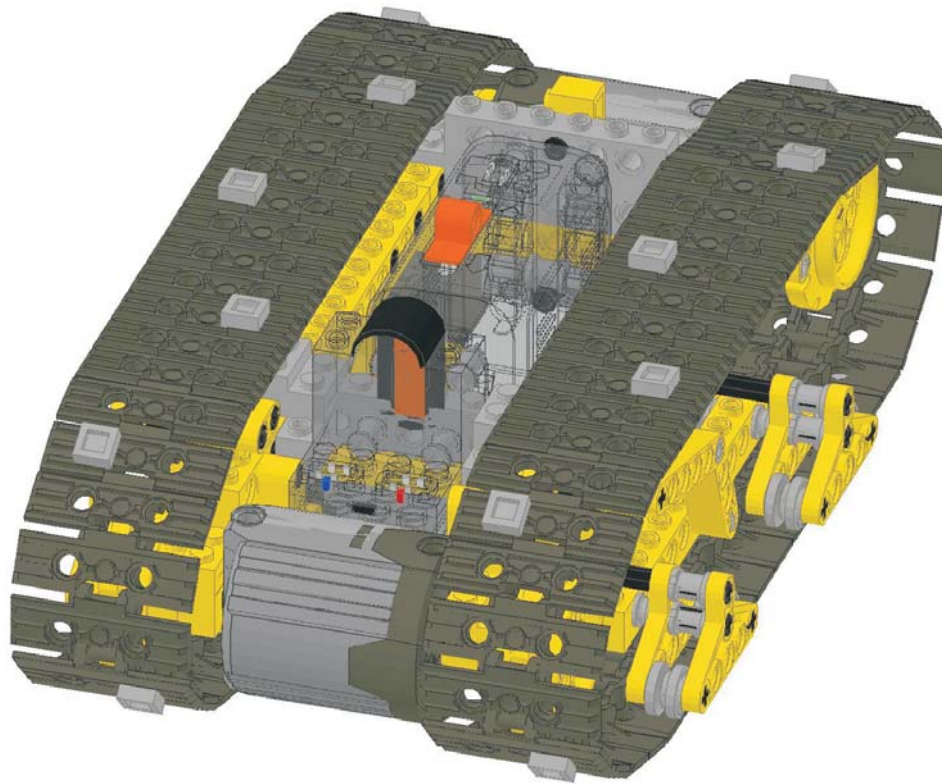
$$J = I + 8$$



$$K = J + 9a + 9b$$



$$L = K + 7$$



-You Made It !!

